



Elegant Furniture And Lighting Inc.

**USER GUIDE - LED LIGHTED CABINET**



MRE8001  
23.5x30x5.5 inch

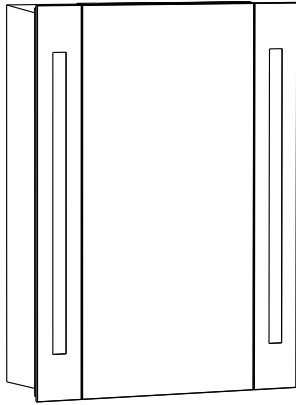


IF IN DOUBT ABOUT FITTING THIS PRODUCT, PLEASE CONSULT A QUALIFIED ELECTRICIAN

## **IMPORTANT**

PLEASE READ THE INSTRUCTIONS BEFORE SET UP AND INSTALLATION

### COMPONENT PARTS AND FITTINGS



**Cabinet x1**



M01

**Silicon plug x 20**  
(Included in pack)



M04

**Hinge cover x 2**  
(Included in pack)



M02

**Glass shelf bracket x 8**  
(Included in pack)



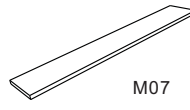
M05

**Wire nut x 3**  
(Included in pack)



M03

**Screw & Wall plug x 4**  
(Included in pack)



M07

**Glass shelf x 2**  
(Included in pack)

#### **Suggested Tools:**



**Screw driver**



**Drill**

## **Safety Warning**

### **Safety:**

- We suggest you spend a short time reading the instruction leaflet.
- Carefully check that you have all the parts before beginning assembly.
- Keep small parts and fittings out of children's reach and keep children well away from construction area, as the unassembled product contains small parts, which could present a choking hazard.
- We suggest you retain these instructions for future reference.
- This appliance can be used by adults **ONLY**.
- If the supply cord is damaged, it must be replaced by the manufacturer, its service agent or similarly qualified persons in order to avoid a hazard.
- Note that this is a hardwired installation and does not come with a power switch. Your electrician must install the hardwired mirror to an electrical junction box to connect to a room light switch to turn off or turn on the mirror.  
Note that this mirror does not come with a dimmer.

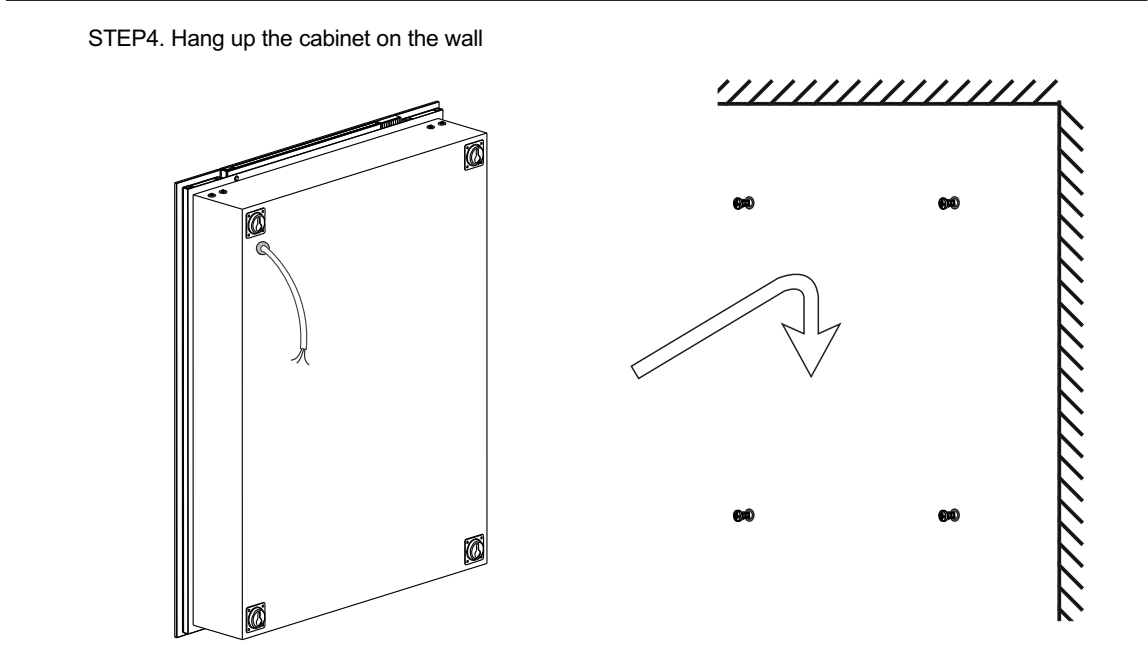
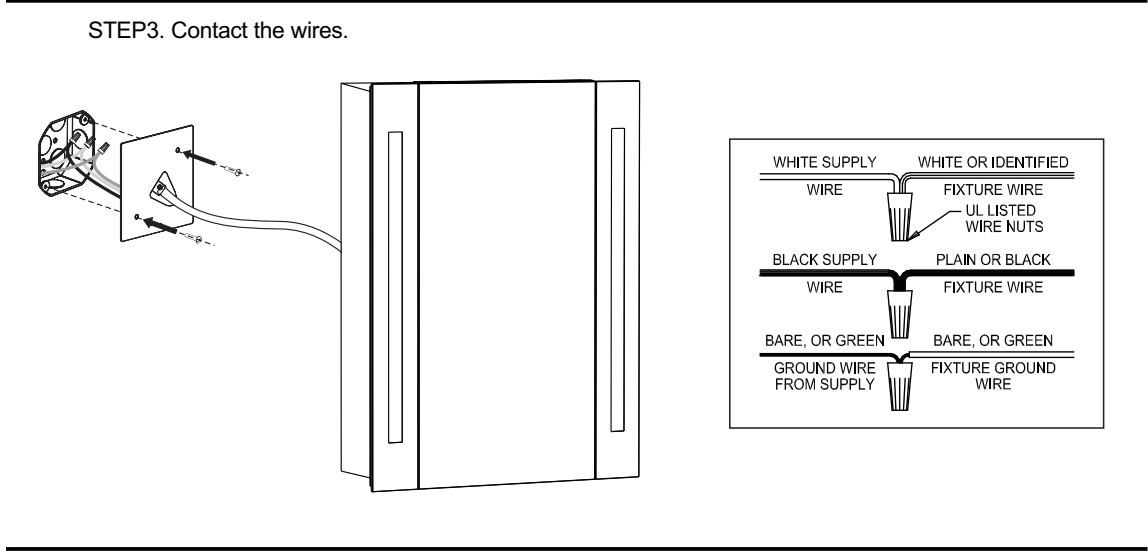
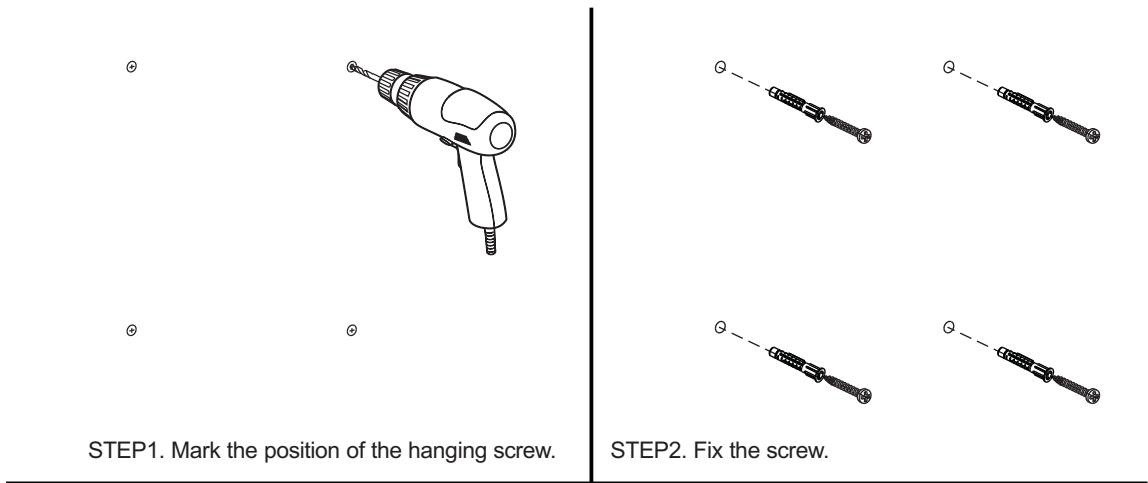
### **Caution:**

- In order to avoid overheating, do not cover the mirror.
- Switch off the mains supply and remove the appropriate fuse or switch off the appropriate circuit breaker before commencing installation
- Make sure that there is no danger that the cord or extension cord is inadvertently be pulled or cause anyone to trip when in use.

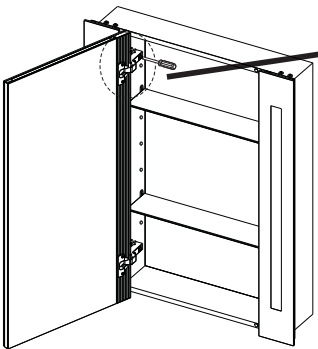
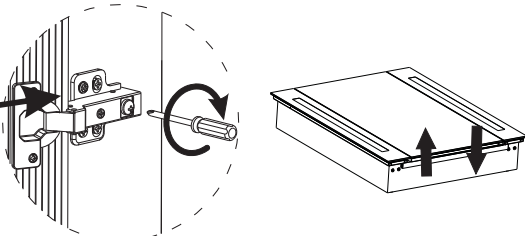
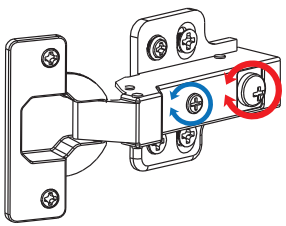
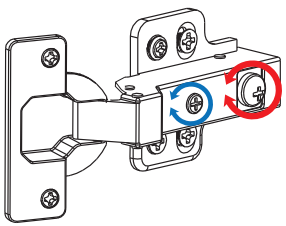
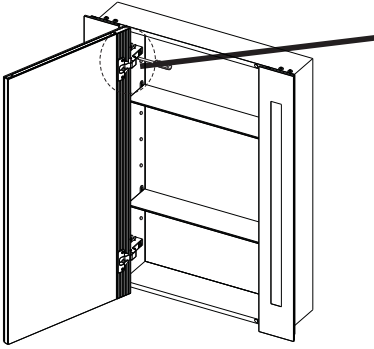
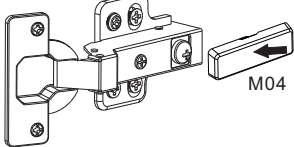
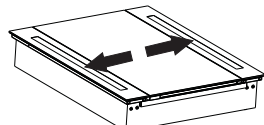
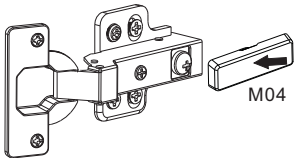
# Assembly/User Instruction

Please read all instructions carefully. Before you proceed to install, make sure that the power supply is turned off and remains off until installation is complete.

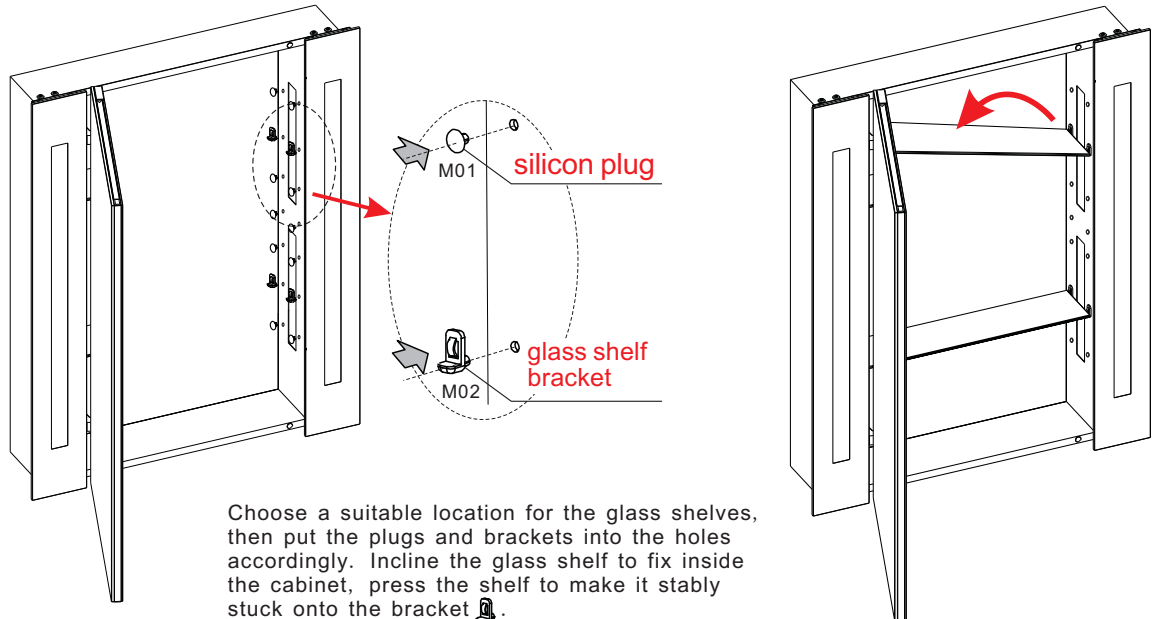
Please note that each part has been assigned a number and proceed in a numerical order.



## Door Adjustment

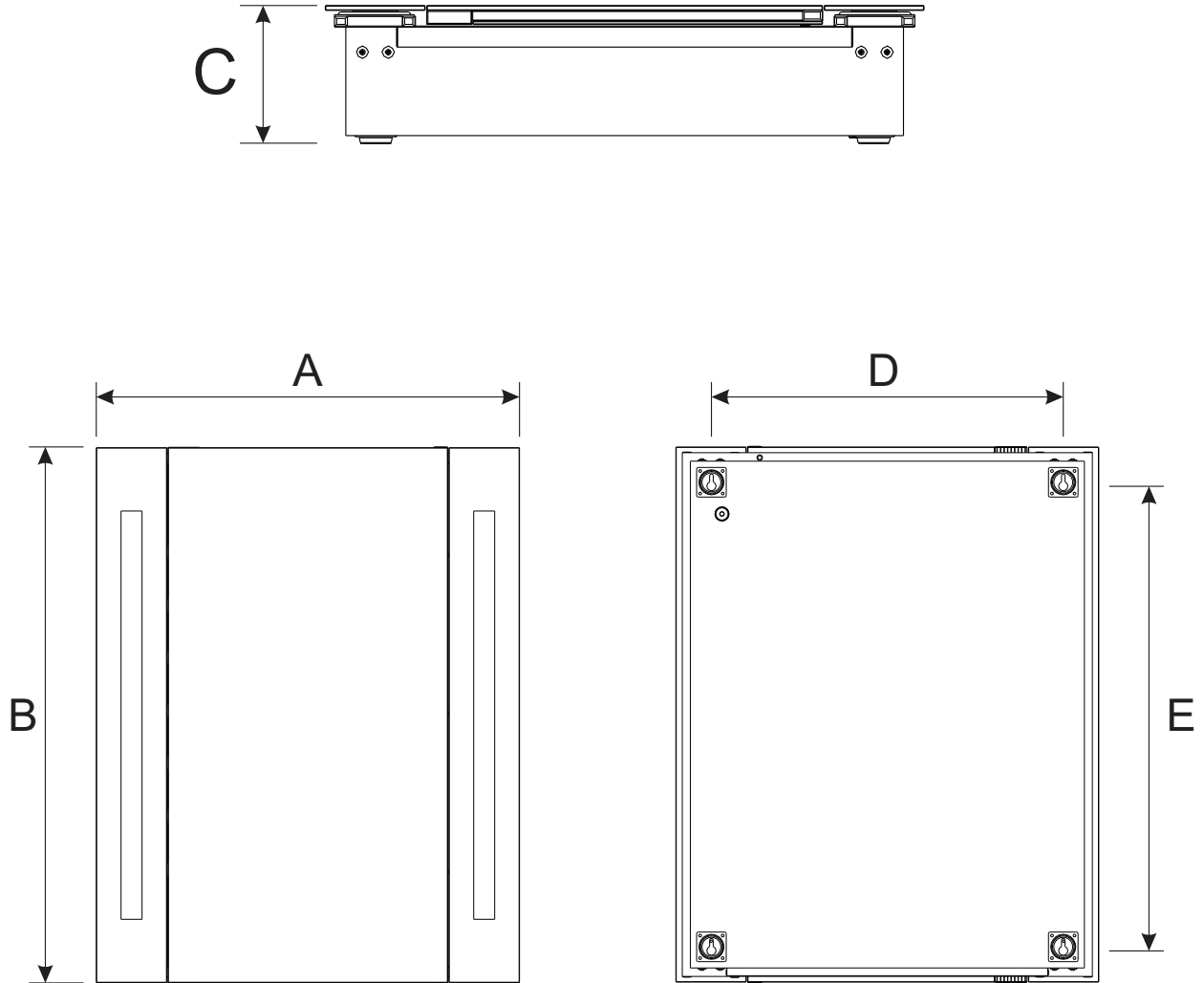
<p><b>Move door away/towards the cabinet</b></p> 	  <p>Turn the assigned screw clockwise can move the mirror door towards the cabinet; Turn the assigned screw counterclockwise can move the door away the cabinet.</p>	<p><b>Hinge Adjustment</b></p> 
<p><b>Move door(s) left/right</b></p> 	  <p>Turn the assigned screw clockwise can move the mirror door right; Turn the assigned screw counterclockwise can move the door left.</p>	<p><b>Hinge cover</b></p> 

## Fixing Glass Shelves



Choose a suitable location for the glass shelves, then put the plugs and brackets into the holes accordingly. Incline the glass shelf to fix inside the cabinet, press the shelf to make it stably stuck onto the bracket.

# Installation Dimensions:



MODEL	A (inch)	B (inch)	C (inch)	D (inch)	E (inch)
MRE8001	23.5	30	5.5	19.7	26

